

LED BULB LAMP SPECIFICATION

AC Direct Driving LED CornBulb Lamp

MODEL NAME	PBA-5022-02, PBA-5022-11
PRODUCT	LED CornBulb Lamp / AC Direct Driving
SHEET STATUS	Rev. 0
DATE	2019.01.17

REVISION HISTORY

No.	Date	Description	Ver.	Editor
1	2019.01.17	Preliminary edition is published	0	YS Nam

CONTENTS

PRODUCTION SELECTION TABLE	4
<hr/>		
FEATURES	5
<hr/>		
APPLICATIONS	5
<hr/>		
ELECTRICAL CHARACTERISTICS	6
<hr/>		
OPTICAL CHARACTERISTICS	7
<hr/>		
LUMINOUS INTENSITY DISTRIBUTION	8
<hr/>		
CONICAL ILLUMINANCE	9
<hr/>		
PRODUCT DIMENSIONS	10
<hr/>		

PRODUCT SELECTION TABLE^{*1)}

Model Name		CCT		Power	Input Voltage	CRI	Certificate
		Color	Typ.			Min	
PBA-5022-02	PBA-5022-CW-02_50K80	Cool	5000K	50W	AC220V 50/60Hz	80	KS
PBA-5022-11	PBA-5022-CW-11_50K80	Cool	5000K	50W	AC220V 50/60Hz	80	KS

- ^{*1)} Please include color option (CCT) in your purchase order.

FEATURES

- AC Direct Driving LED Light
- Life Time to Failure > 50,000 hours
- Low THD (Total Harmonic Distortion)
- High Power Efficiency and PF
- NTC (Negative Temperature Coefficient)
- Dimmable with Most Standard LED Dimmer & RFsemi 2-wire Dimmer
- 5 year Manufacture's Warranty

APPLICATIONS

- Warehouse
- Park
- Parking lot
- Street
- Apartment



ELECTRICAL CHARACTERISTICS

T_A = 25 °C

Parameter	Model	Condition	Symbol	Min.	Typ.	Max.	Unit
Input Power	PBA-5022-02 PBA-5022-11	V _{AC} = 220V	P _{IN}	45	50	55	W
Operating Voltage			V _{AC}	200	220	240	V [RMS]
Operating Frequency		V _{AC} = 220V	Freq.	50 / 60			Hz
Total Harmonic Distortion			THD			20	%
Power Factor			PF	0.95	0.98	-	-
Operating Temperature		T _A	T _{op}	-30		50	°C

OPTICAL CHARACTERISTICS

 $T_A = 25\text{ }^\circ\text{C}$

PBA-5022-02						
Parameter	Condition	Symbol	Min.	Typ.	Max.	Unit
Luminous Flux ^{*1)}	CCT = 5000K	\varnothing_v		6250		lm
Luminous Efficacy	CCT = 5000K	η		125		lm/W
Color Rendering Index		Ra	80			-
View angle ^{*2)}		$2\Theta_{1/2}$		344.4		deg.

 $T_A = 25\text{ }^\circ\text{C}$

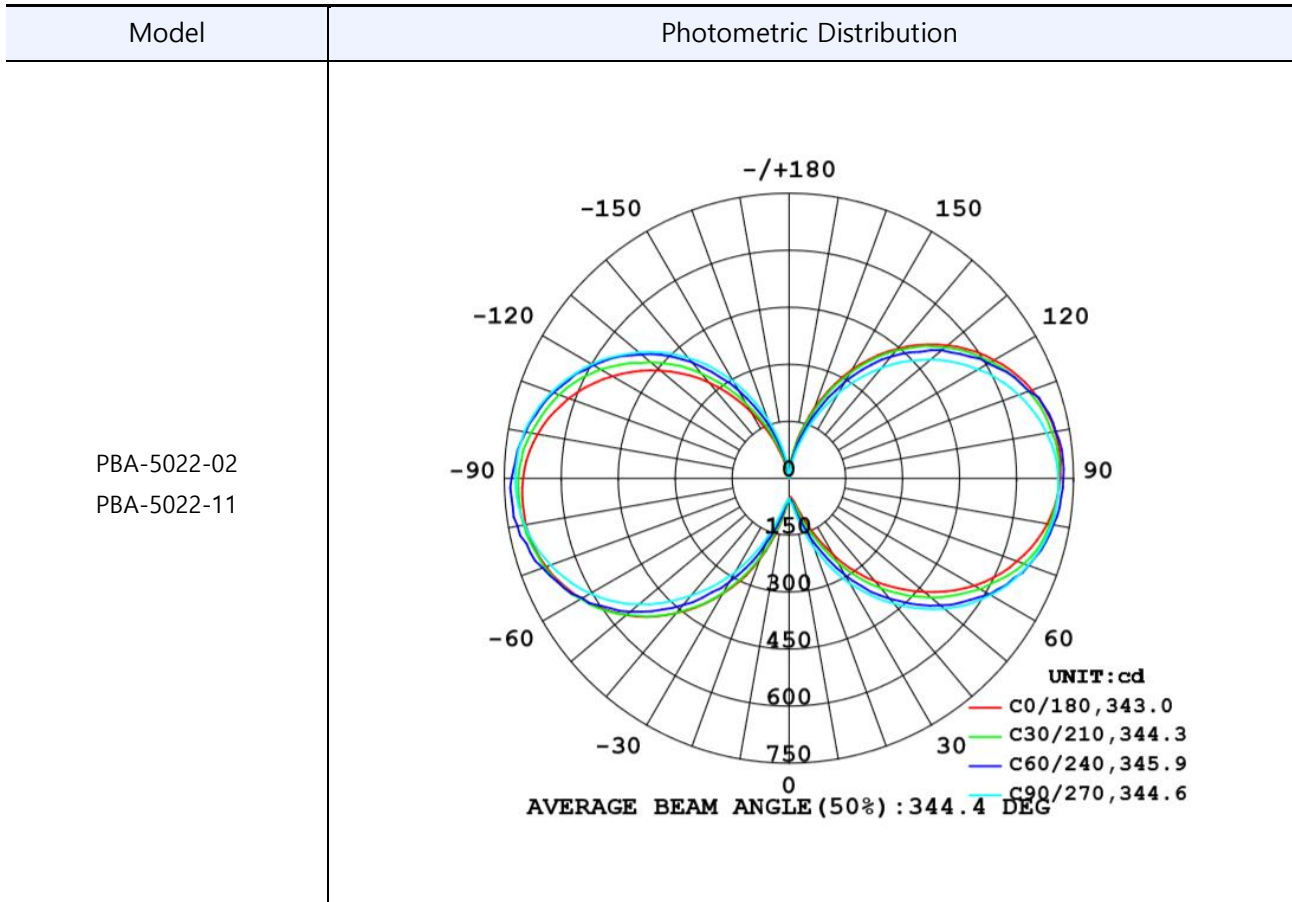
PBA-5022-11						
Parameter	Condition	Symbol	Min.	Typ.	Max.	Unit
Luminous Flux ^{*1)}	CCT = 5000K	\varnothing_v		7000		lm
Luminous Efficacy	CCT = 5000K	η		140		lm/W
Color Rendering Index		Ra	80			-
View angle ^{*2)}		$2\Theta_{1/2}$		344.4		deg.

*1) Measurement tolerance : Flux \pm 5%

*2) $2\Theta_{1/2}$ is the off-axis where the luminous intensity is 1/2 of the peak intensity

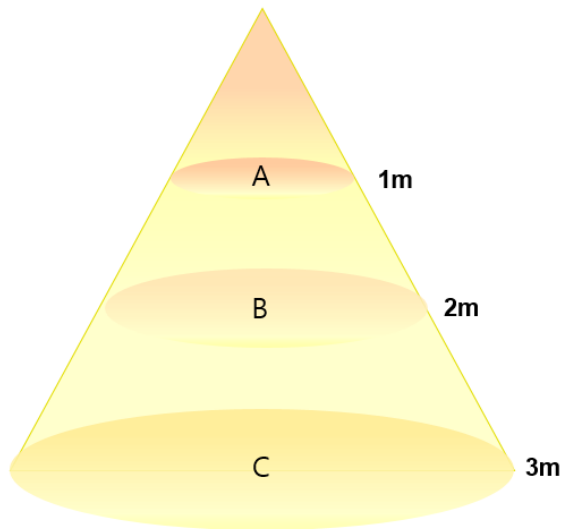
LUMINOUS INTENSITY DISTRIBUTION

T_A = 25 °C



CONICAL ILLUMINANCE

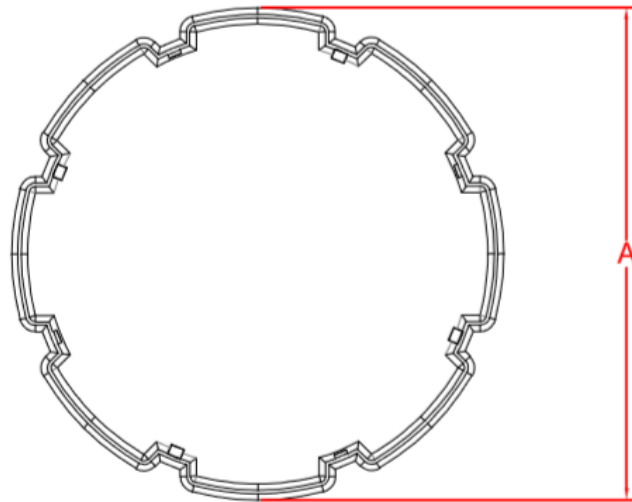
$T_A = 25\text{ }^\circ\text{C}$



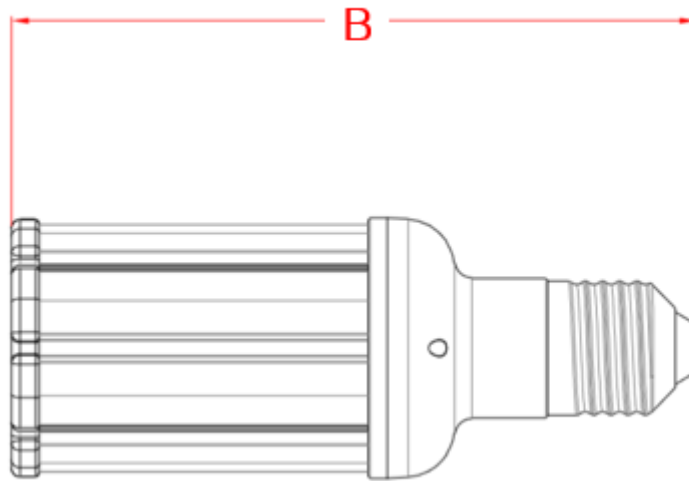
Unit : lx

MODEL	5000K		
	A	B	C
PBA-5022-02	208	52	23
PBA-5022-11	240	60	27

PRODUCT DIMENSIONS



Top view



Side view

Model Name	A	B	Base type
PBA-5022-02	Ø75.30	199.30mm	E39
PBA-5022-11			