

LED SPOT LIGHT SPECIFICATION

AC Direct Driving Spot Light MR16

PRELIMINARY

MODEL	PMA-0422-01, PMA-0522-01
PRODUCT	LED Spot Light / MR16 / AC Direct Driving
SHEET STATUS	Rev. 0
DATE	2016.11.25

REVISION HISTORY

No.	Date	Description	Ver.	Editor
1	2016.11.25	Preliminary edition is published	0	YG Han

PRELIMINARY

CONTENTS

PRODUCTION SELECTION TABLE	4
<hr/>		
FEATURES	5
<hr/>		
APPLICATIONS	5
<hr/>		
ELECTRICAL CHARACTERISTICS	6
<hr/>		
OPTICAL CHARACTERISTICS	7
<hr/>		
LUMINOUS INTENSITY DISTRIBUTION	8
<hr/>		
CONICAL ILLUMINANCE	9
<hr/>		
PRODUCT DIMENSIONS	10
<hr/>		

PRELIMINARY

PRODUCT SELECTION TABLE^{*1)}

Model Name		CCT		Power	Input Voltage	CRI	Certificate
		Color	Typ.			Min	
PMA-0422-01	PMA-0422-WW-01_30K80	Warm	3000K	4W	AC 220/230V 50/60Hz	80	KC
	PMA-0422-NW-01_40K80	Neutral	4000K				
	PMA-0422-CW-01_57K80	Cool	5700K				
PMA-0522-01	PMA-0522-WW-01_30K80	Warm	3000K	5W	AC 220/230V 50/60Hz	80	KC
	PMA-0522-NW-01_40K80	Neutral	4000K				
	PMA-0522-CW-01_57K80	Cool	5700K				

*1) Please include color option (CCT) in your purchase order.

PRELIMINARY

FEATURES

- AC Direct Driving LED Light
- Life Time to Failure > 50,000 hours
- Low THD (Total Harmonic Distortion)
- High Power Efficiency and PF
- NTC (Negative Temperature Coefficient)
- Dimmable with Most Standard LED Dimmer & RFsemi 2-wire Dimmer
- 5 year Manufacture's Warranty

APPLICATIONS

- Home
- Hotel
- Restaurant
- Shopping mall



ELECTRICAL CHARACTERISTICS

T_A = 25 °C

Parameter	Model	Condition	Symbol	Min.	Typ.	Max.	Unit
Input Power	PMA-0422-01	V _{AC} = 220V	P _{IN}	3.6	4	4.4	W
	PMA-0522-01			4.5	5	5.5	
Operating Voltage	PMA-0422-01 PMA-0522-01		V _{AC}	200	220	240	V [RMS]
Operating Frequency			Freq.	50 / 60			Hz
Total Harmonic Distortion		V _{AC} = 220V	THD			20	%
Power Factor			PF	0.95	0.98	-	-
Operating Temperature		T _A	T _{op}	-30		50	°C

PRELIMINARY

OPTICAL CHARACTERISTICS

 T_A = 25 °C

PMA-0422-01						
Parameter	Condition	Symbol	Min.	Typ.	Max.	Unit
Luminous Flux ^{*1)}	CCT = 3000K	∅ _v		210		lm
	CCT = 4000K			240		
	CCT = 5700K			240		
Luminous Efficacy	CCT = 3000K	η		54		lm/W
	CCT = 4000K			60		
	CCT = 5700K			60		
Color Rendering Index		Ra	80			-
View angle ^{*2)}		2∅ _{1/2}		40		deg.

 T_A = 25 °C

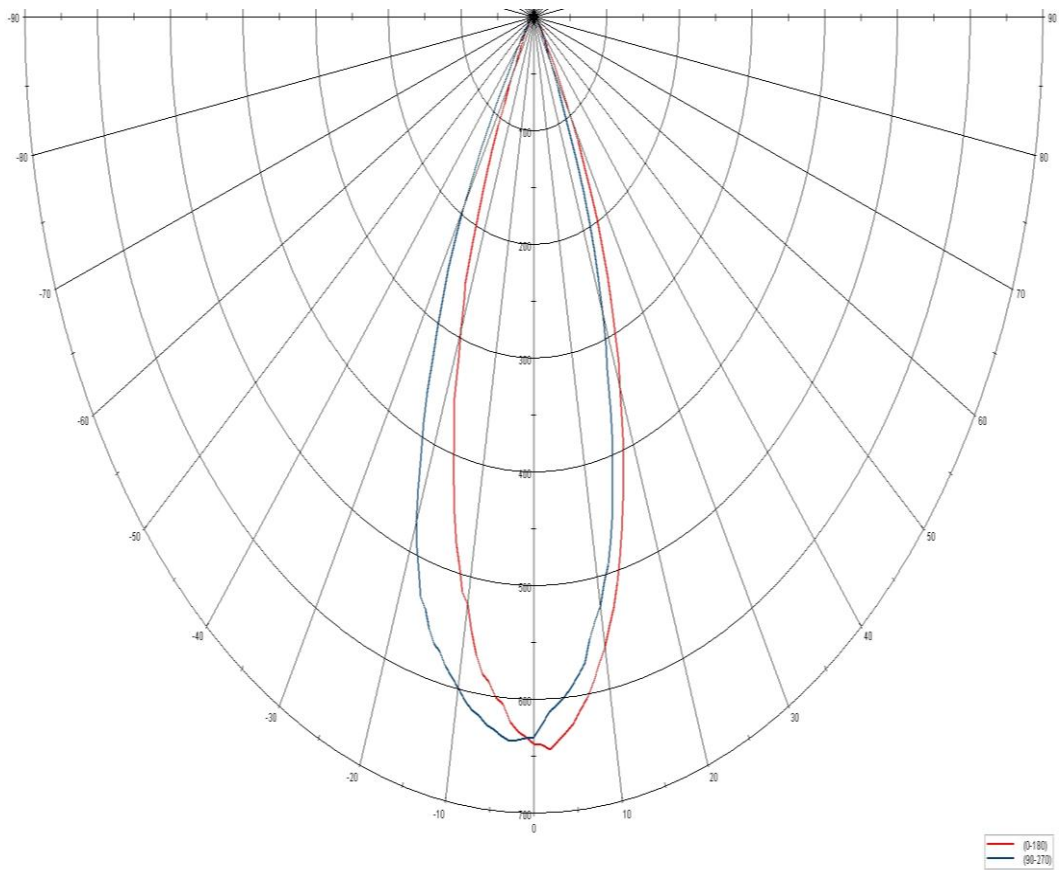
PMA-0522-01						
Parameter	Condition	Symbol	Min.	Typ.	Max.	Unit
Luminous Flux ^{*1)}	CCT = 3000K	∅ _v		270		lm
	CCT = 4000K			300		
	CCT = 5700K			300		
Luminous Efficacy	CCT = 3000K	η		54		lm/W
	CCT = 4000K			60		
	CCT = 5700K			60		
Color Rendering Index		Ra	80			-
View angle ^{*2)}		2∅ _{1/2}		40		deg.

*1) Measurement tolerance : Flux ± 5%

*2) 2∅_{1/2} is the off-axis where the luminous intensity is 1/2 of the peak intensity

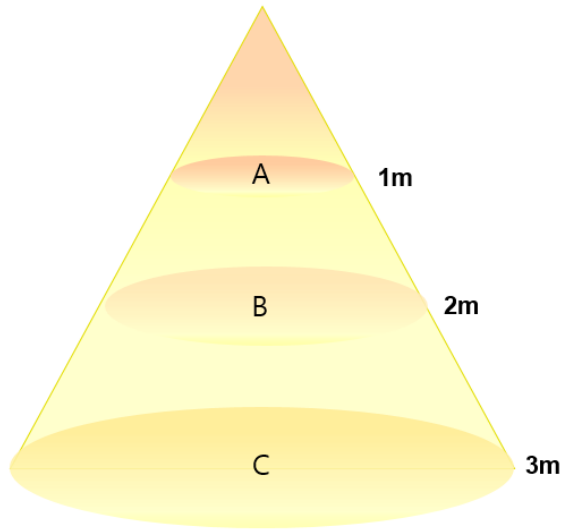
LUMINOUS INTENSITY DISTRIBUTION

T_A = 25 °C



CONICAL ILLUMINANCE

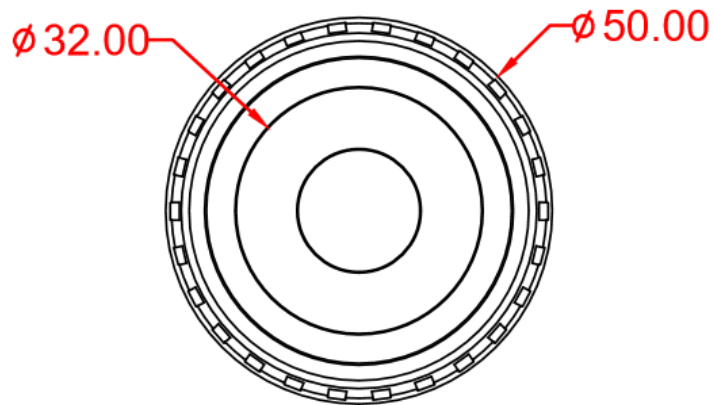
$T_A = 25\text{ }^\circ\text{C}$



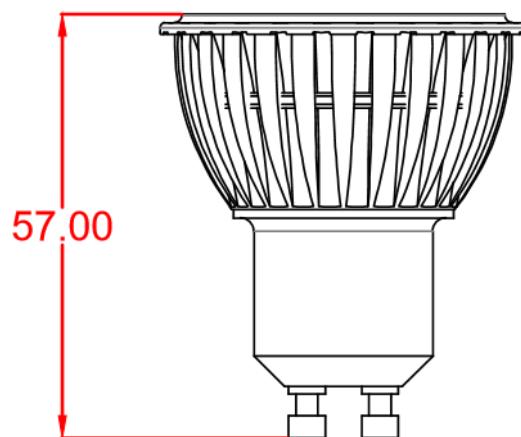
Model Name	3000K			4000K / 5700K		
	A	B	C	A	B	C
PMA-0422-01	445	111	49	508	127	56
PMA-0522-01	572	143	64	635	158	70

PRODUCT DIMENSIONS

Unit : mm



Top view



Side view

Base type : GU10